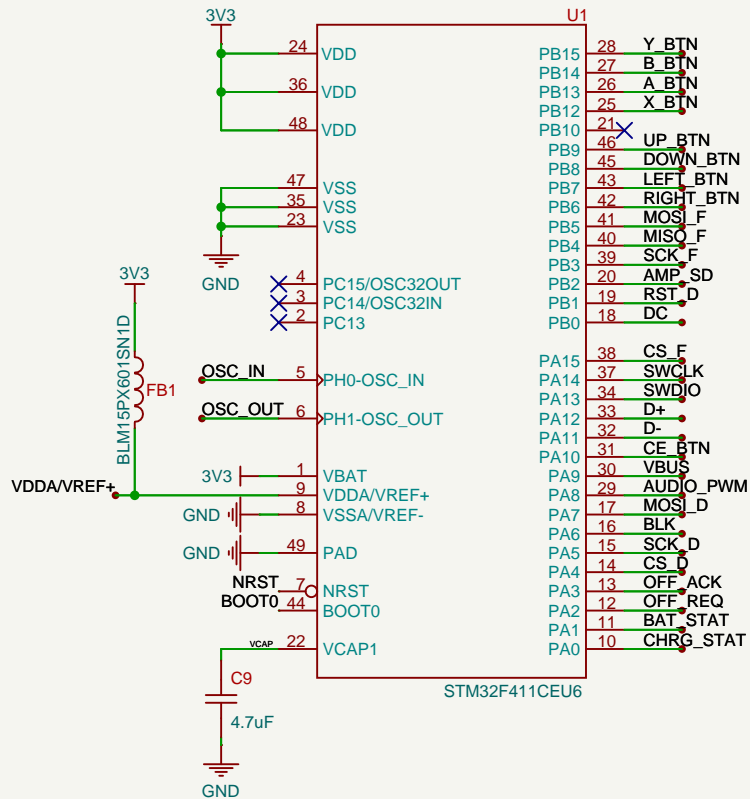
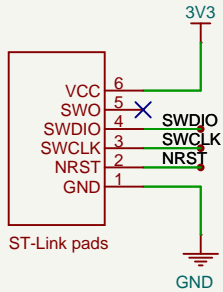
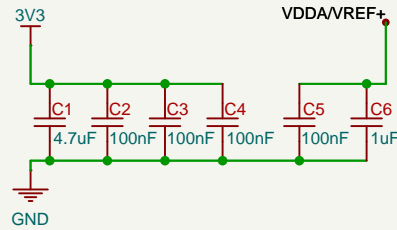
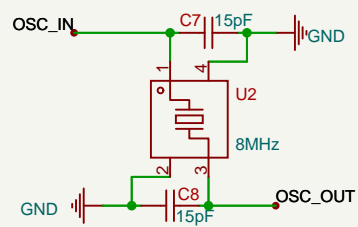
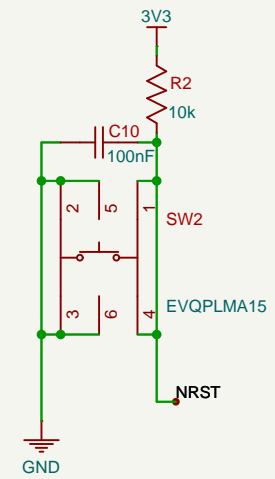
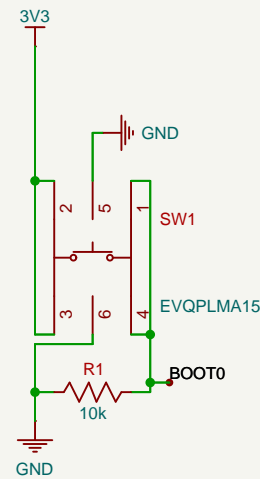
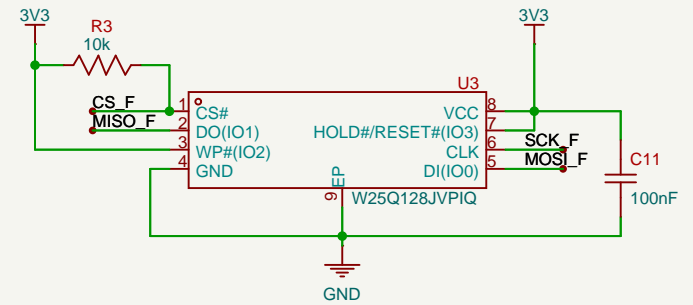


STM32F411CEU6 MCU

$$C7=C8=2(CL-CS)=2*(12-5) = 14 \sim 15pF$$

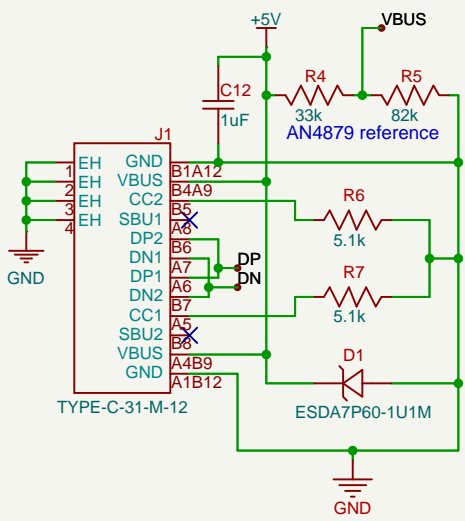


W25Q128JVPIQ 16Mb External FLASH

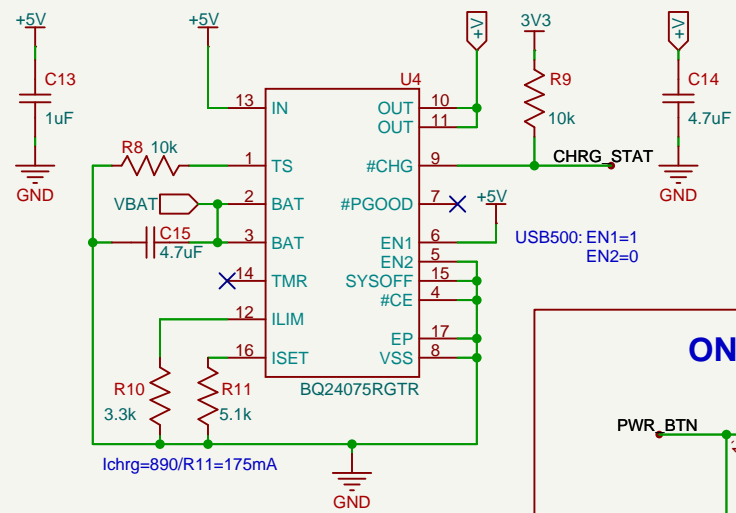


TITLE: Logic		REV: 0.1
		Sheet: 1/3
		Date: 31.05.2026

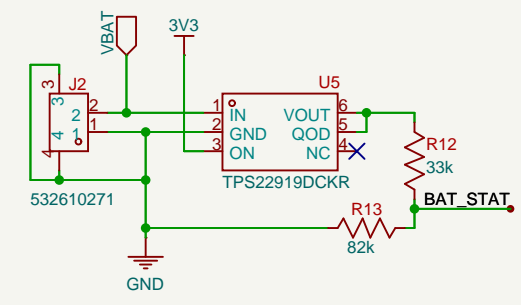
TYPE-C CONNECTOR



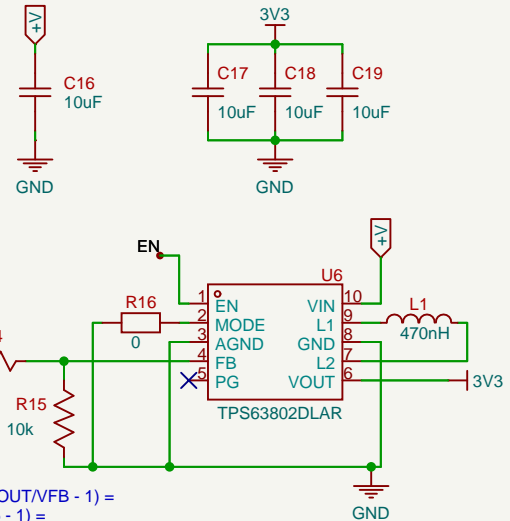
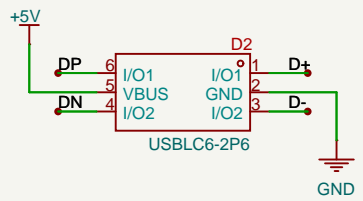
POWER-PATH CHARGER BQ24075



LP233350 310mAh connector

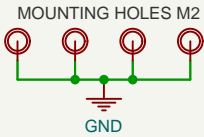
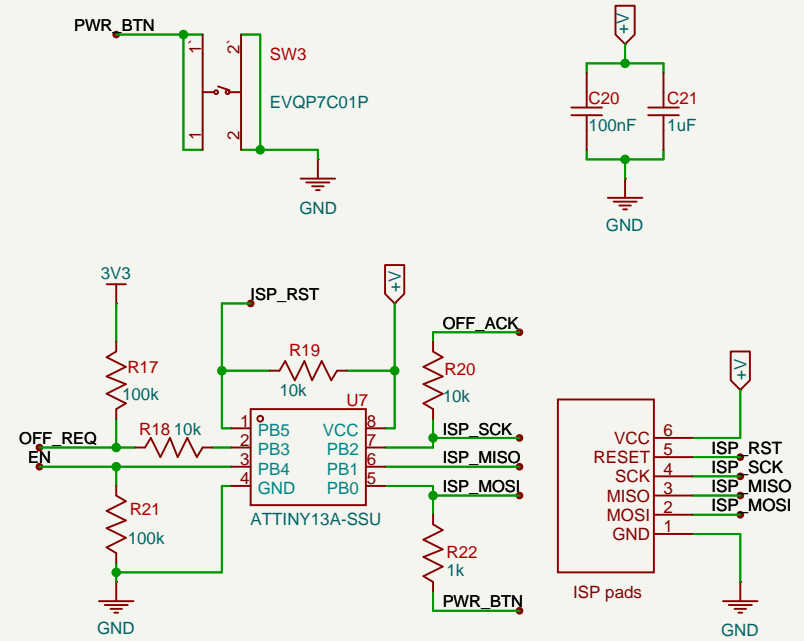


BUCK-BOOST CONVERTER TPS63802



$$R14 = R15 \cdot (VOUT/VFB - 1) = R15 \cdot (3.3/0.5 - 1) = 5.6 \cdot R15$$

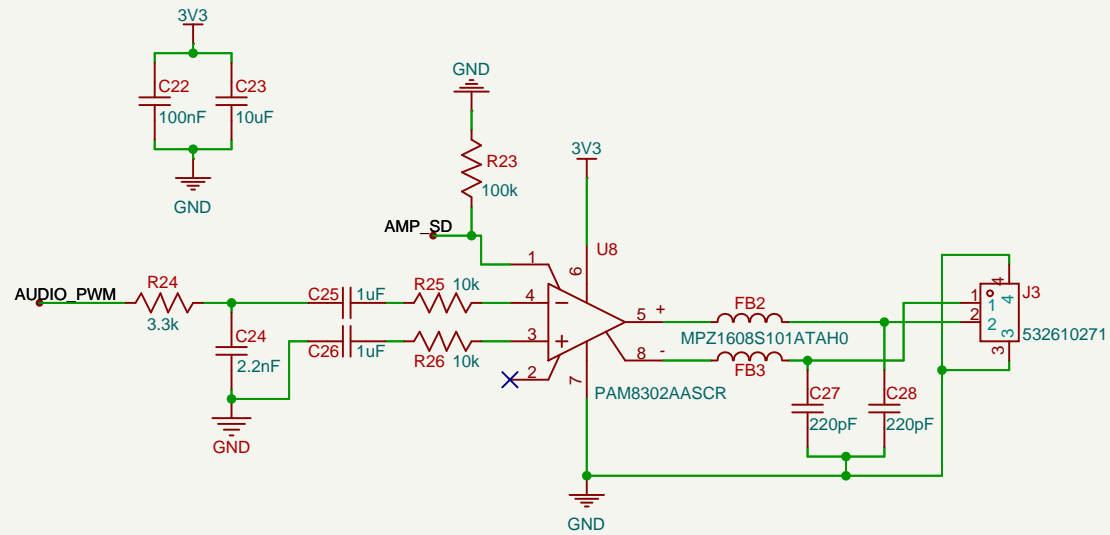
ON-OFF CONTROLLER ATTINY13A



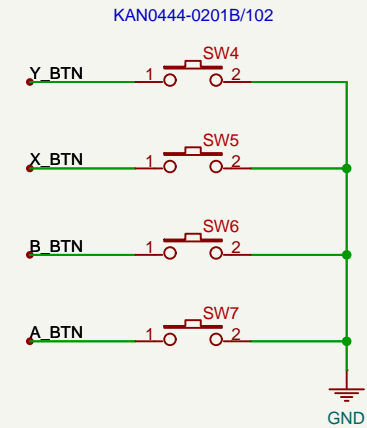
TITLE: Power supply		REV: 0.1
HSE MIEM		Sheet: 2/3
Date: 31.05.2026	Drawn By: brmukhametdinov	



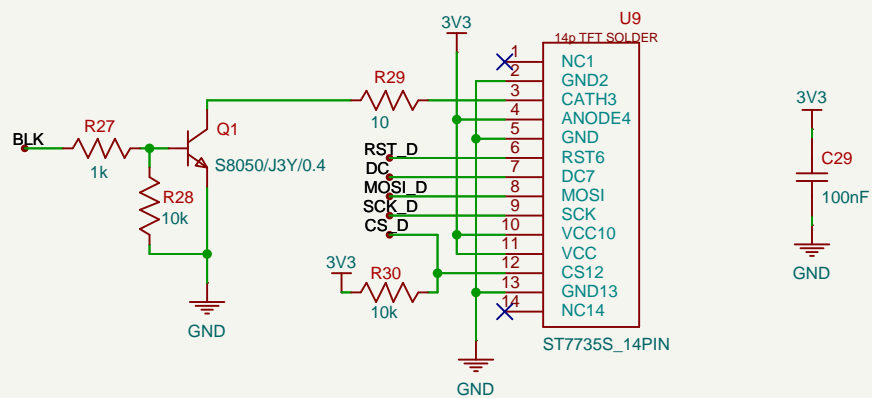
PAM8302AASCR AMPLIFIER



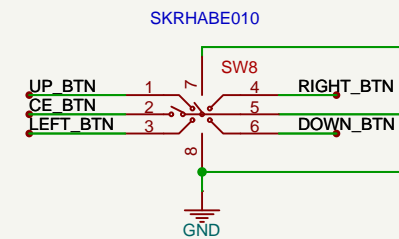
RIGHT Button Block




ST7735S 1.8" TFT



5-WAY DISCRETE JOYSTICK



TITLE: Input/Output interfaces		REV: 0.1
		Sheet: 3/3
		Date: 31.05.2026